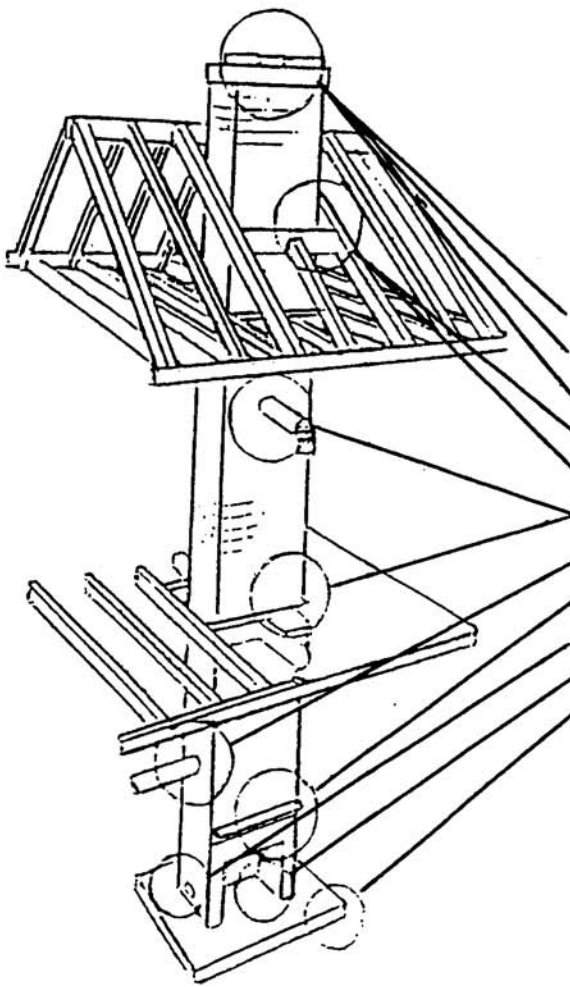


## MASONRY CHIMNEY & FIREPLACE INSPECTION

### CHECK:



- Crown for cracks.
- Condition and alignment of flue ties.
- Bricks above roof for water penetration and frost damage.
- Flashing for weather damage and leaks.
- Proper clearances of between framing and chimney shell.
- Proper clearances of breech and flue pipe to combustibles.
- Condition of breech and flue pipes.
- Proper mantel clearances.
- Sealed cleanout door.
- Condition of firebox.
- Proper hearth extension, dimension and condition.

## FACTORY BUILT CHIMNEY INSPECTION

### CHECK:

- Proper chimney cap and weather tightness.
- Condition of roof brace.
- Condition of fasteners and seal.
- Condition of flashing, storm collar and sealant.
- Suitable secondary supports, shields and clearances.
- Secure chimney section connections.
- Properly installed ceiling support and clearances.
- Use of certified components throughout the system.

